

2019

PARTS CATALOG



Specialty Enterprises

Parts Orders & Customer Service:

Congratulations on your purchase of a Millennium Boom Product!

Customer satisfaction is our goal, so please contact us if you have any questions or needs with your recent purchase. As always, we stand by our work and impeccable service. Please look to us, Specialty Enterprises, to become the company you rely on for all of your spray boom needs.



How to Order:

Parts orders can be placed by phone Monday - Friday 8:00am - 5:00pm Central. Please call (920) 787-7010 to speak with someone in our parts department.

You can also email your parts orders to: parts@spraybooms.com

Sales & Support Contact Info:

Customer satisfaction has always been our top priority, so please feel free to contact us if you have any questions or needs related to your Millennium spray booms. You can also find answers to commonly asked questions on our [website's FAQ](#), as well as forms you can use to contact our various departments, just visit <http://spraybooms.com>

Parts Sales

(920) 787-7010

parts@spraybooms.com

Boom Sales

(920) 787-7010

sales@spraybooms.com

Field Service & Support

(920) 240-5218

support@spraybooms.com

Specialty Enterprises, LLC - Main Office

PO Box 368

123 Pickle Row

Wautoma, WI 54982

Phone: (920) 787-7010

Fax: (920) 787-7030

Email: info@spraybooms.com

Business hours:

M-Th: 8:00am - 5:00pm

Fri: 8:00am - 4:00pm



Table of Contents

Part I: Primary Section

<i>Primary assembly</i>	1
-------------------------------	---

Part II: Secondary Section

<i>Secondary assembly</i>	2
<i>Hinge ears</i>	3
<i>Hinge end</i>	4
<i>Pivot & stop block</i>	5
<i>Hinge bracket</i>	6
<i>Breakaway end</i>	7

Part III: Breakaway Section

<i>Breakaway assembly</i>	8
<i>Breakaway damper</i>	9

Part IV: Accessories

<i>Shelf mounting bracket</i>	10
<i>Secondary shelf bracket</i>	10
<i>Hinge box assembly</i>	10
<i>Hydraulic cylinder</i>	11
<i>Relief Valve</i>	11
<i>Seal Kit</i>	11
<i>Fold cylinder pin</i>	11
<i>Plumbing tab</i>	11
<i>Cylinder anchor bracket</i>	12
<i>Hinge shim</i>	12
<i>Pivot fork</i>	12
<i>Lift lug spacer</i>	13
<i>Lift lug attachment bracket</i>	13
<i>Lift lug ear</i>	13
<i>Breakaway bump stop</i>	14
<i>Square washer</i>	14
<i>Breakaway rubber bumper</i>	14
<i>Primary to Secondary linkage</i>	14

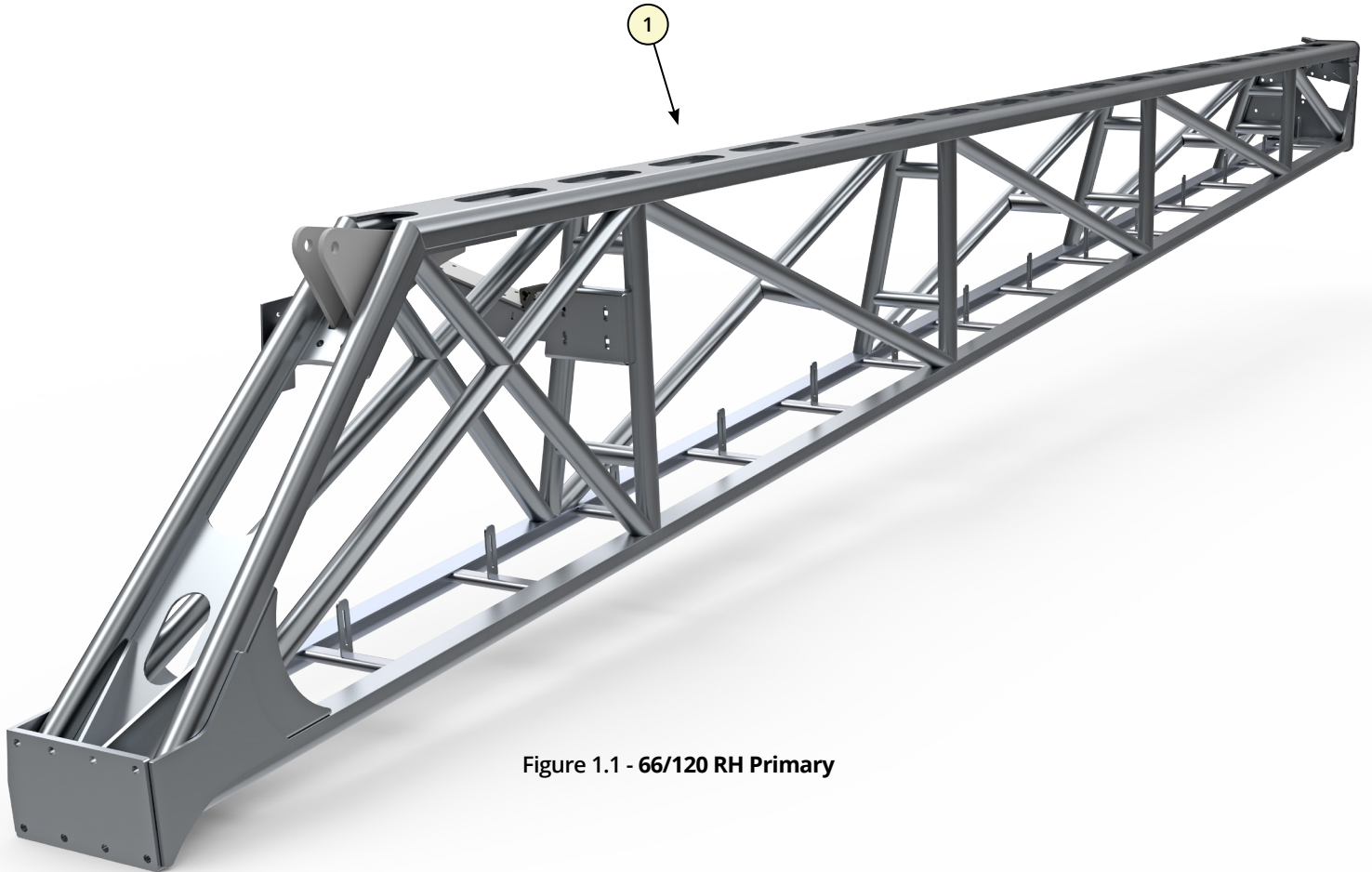


Figure 1.1 - 66/120 RH Primary

<i>Ref #</i>	<i>Part #</i>	<i>Description</i>	<i>Qty</i>
<i>NOT SHOWN</i>	SE-103971-03	PRIMARY RH, 60-90	1
<i>NOT SHOWN</i>	SE-103970-03	PRIMARY LH, 60-90	1
<i>NOT SHOWN</i>	SE-103971-02	PRIMARY RH, 60-100	1
<i>NOT SHOWN</i>	SE-103970-02	PRIMARY LH, 60-100	1
1	SE-100314	PRIMARY RH, 66-120	1
<i>NOT SHOWN</i>	SE-100898	PRIMARY LH, 66-120	1
<i>NOT SHOWN</i>	SE-100314	PRIMARY RH, 66-132	1
<i>NOT SHOWN</i>	SE-100898	PRIMARY LH, 66-132	1

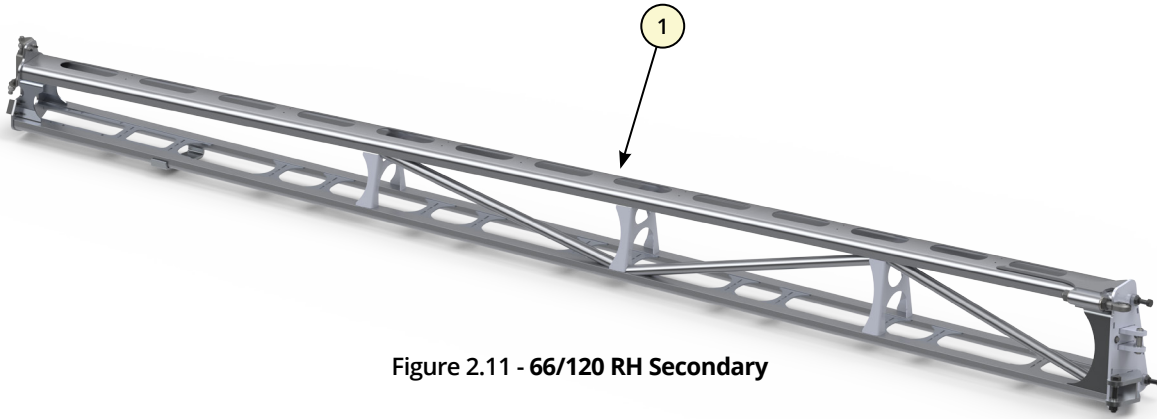


Figure 2.11 - 66/120 RH Secondary

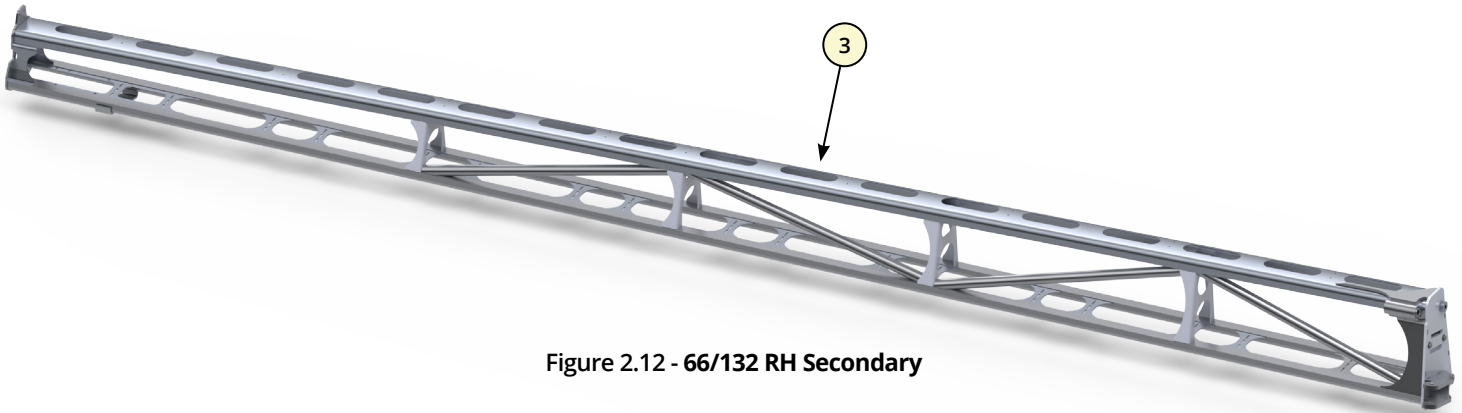


Figure 2.12 - 66/132 RH Secondary

Ref #	Part #	Description	Qty
NOT SHOWN	SE-104026-01	60/90 RH SECONDARY	1
NOT SHOWN	SE-104025-01	60/90 LH SECONDARY	1
NOT SHOWN	SE-104009-01	60/100 RH SECONDARY	1
NOT SHOWN	SE-104008-01	60/100 LH SECONDARY	1
1	SE-101867	66/120 RH SECONDARY	1
NOT SHOWN	SE-101868	66/120 LH SECONDARY	1
3	SE-101873	66/132 RH SECONDARY	1
NOT SHOWN	SE-101874	66/132 LH SECONDARY	1

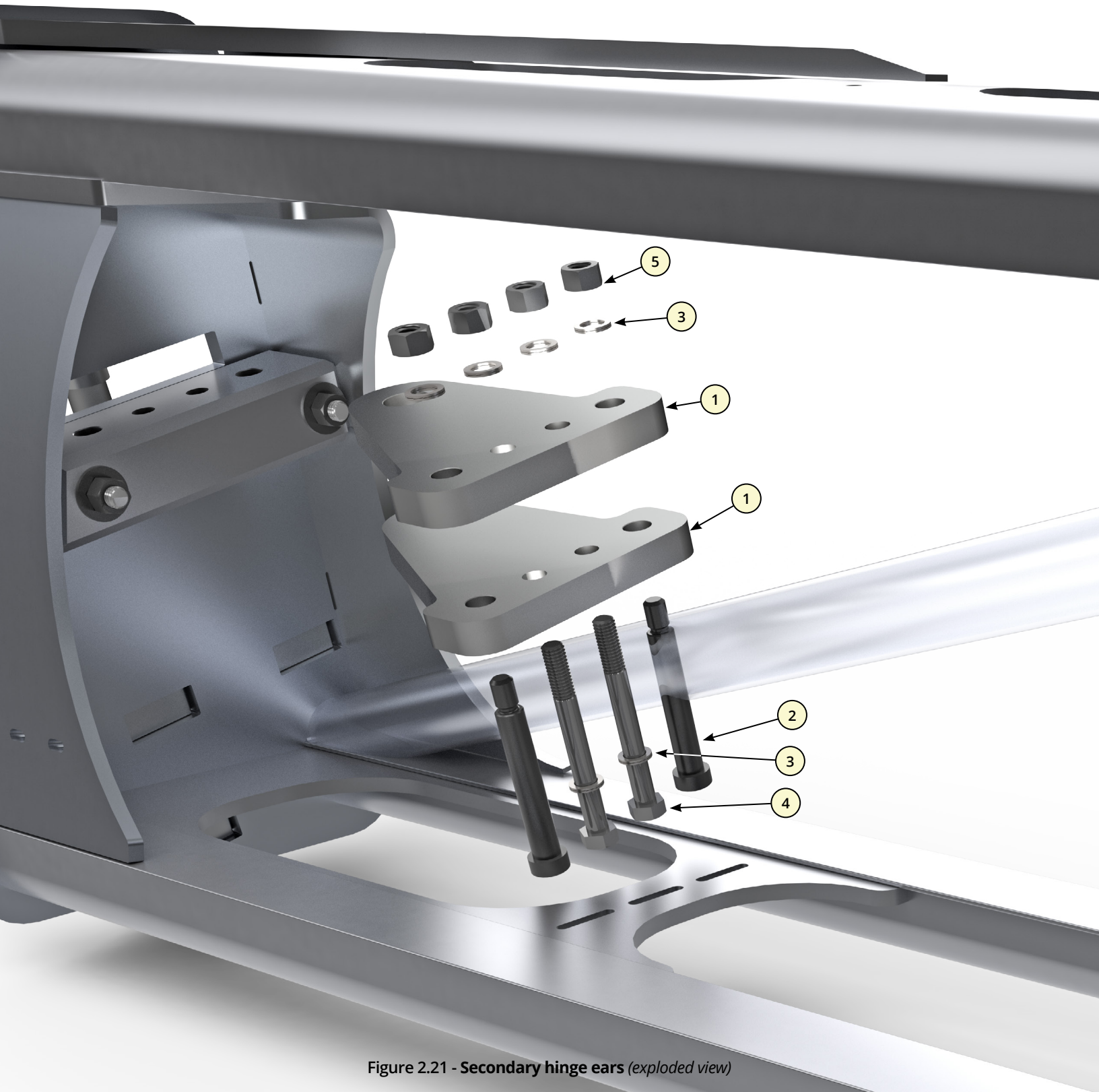


Figure 2.21 - Secondary hinge ears (exploded view)

Ref #	Part #	Description	Qty
1	SE-101668	PLATE, CYL MOUNT	2
2	SE-101669-6	SHCS .62 X 3.50 X .50 - 13	2
3	SE-101760-05	WASHER, NORD-LOCK 1/2	6
4	SE-101751-13	CAPSCREW .50 - 13 X 4.50 G8	2
5	SE-101759-05	HEX NUT 1/2-13 G8	4

2.3 - SECONDARY SECTION

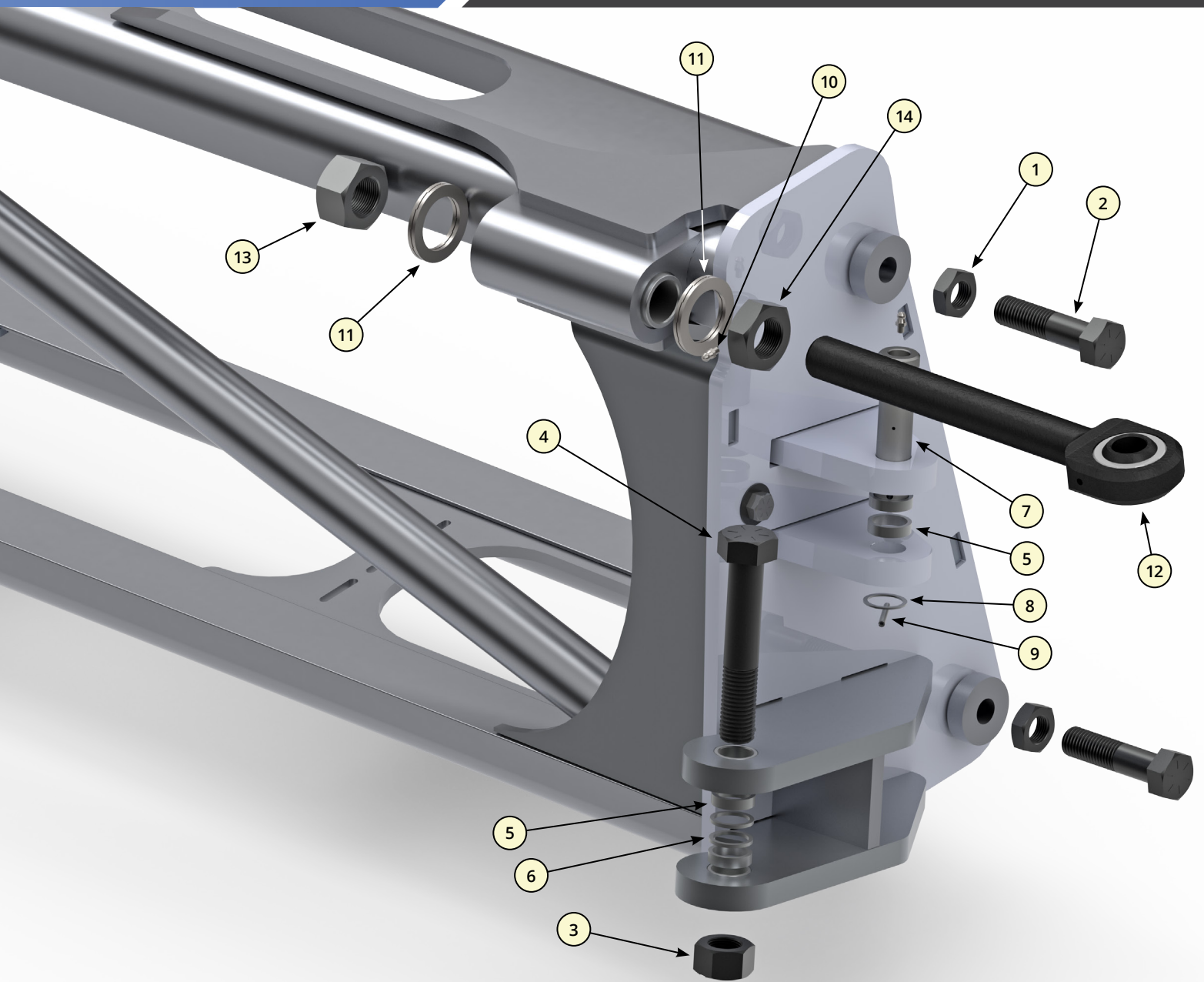


Figure 2.31 - Secondary hinge end (exploded view)

Ref #	Part #	Description	Qty
1	SE-101758-09	JAM NUT 7/8-9	2
2	SE-101766-05	CAPSCREW .88-9 X 3.50 G8	2
3	SE-101753-10	TOP LOCK NUT 1.0-8	1
4	SE-101768-09	CAPSCREW 1.00-8 X 5.50 G8	1
5	SE-101144	WASHER, 1.25 X 1.01 X .309	4
6	SE-101142	WASHER, 1.25 X 1.01 X .103	2
7	SE-101103	PIN, CYLINDER LINKAGE	1
8	SE-101271	WASHER, 1.25 X 1.01 X .052	1
9	SE-102140	SPRING PIN .19 X 1.62 SS	1
10	SE-101767	FITTING, GREASE ST 1/4-28	2
11	SE-101760-11	WASHER, NORD-LOCK 1.50	2
12	SE-103168	ROD END, HINGE RH	1
13	SE-101942-11	HEX NUT 1.25-12 UNF-2B G8	1
14	SE-101861-11	JAM NUT 1.25-12 UNF-2B	1

2.4 - SECONDARY SECTION

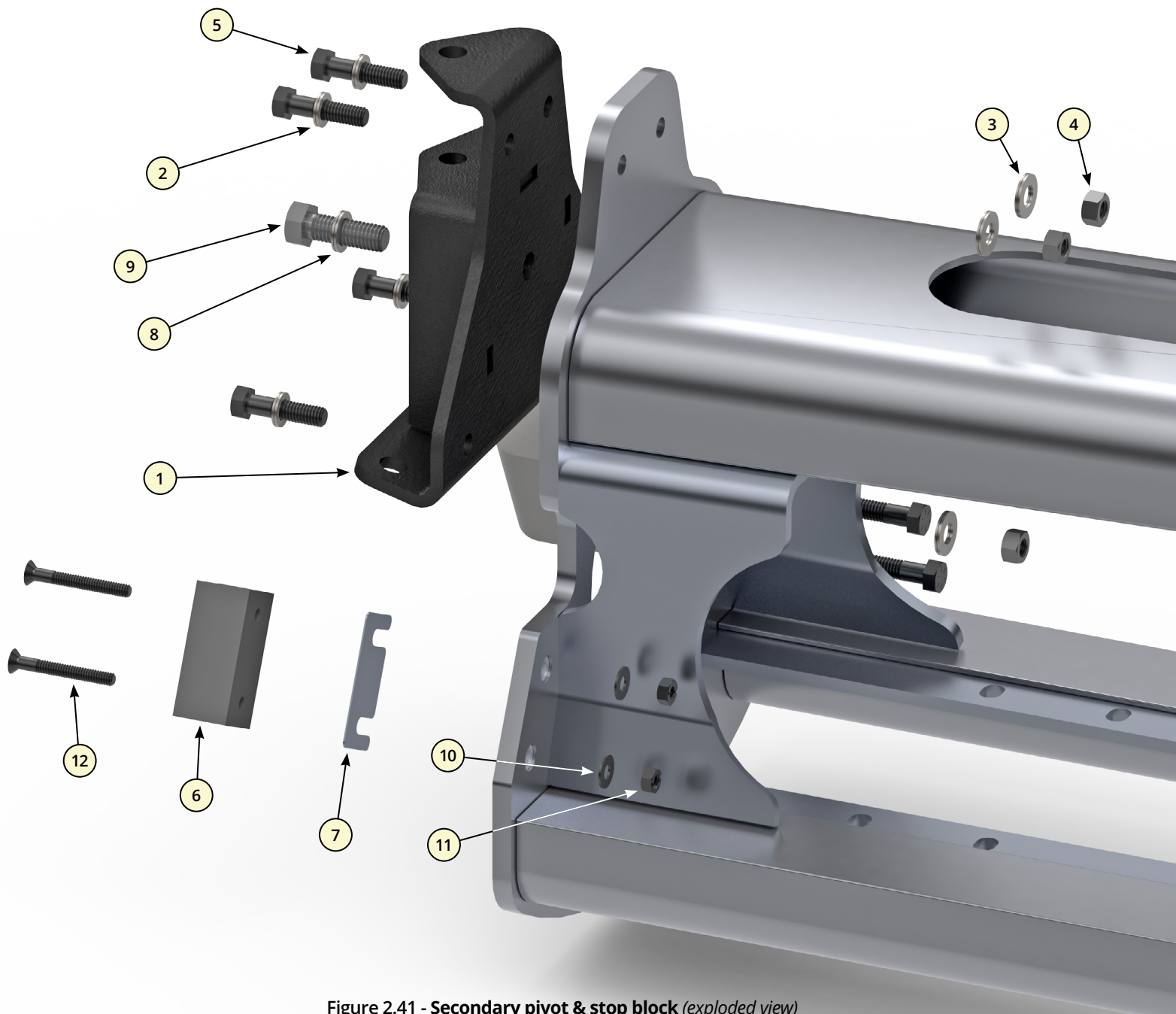


Figure 2.41 - Secondary pivot & stop block (exploded view)

Ref #	Part #	Description	Qty
1	SE-102078	SCNDRY HINGE BRKT ASSY	1
2	SE-101760-03	WASHER, NORD-LOCK 3/8	4
3	SE-101761-03	WASHER, NORD-LOCK 3/8SP	6
4	SE-101759-03	HEX NUT 3/8-16 G8	4
5	SE-101750-05	CAPSCREW .38-16 X 1.50 G8	6
6	SE-101793	BLOCK, STOP	1
7	SE-101799	SHIM, STOP BLOCK	1
8	SE-101760-05	WASHER, NORD-LOCK 1/2	1
9	SE-101751-05	CAPSCREW .50-13 X 1.50 G8	1
10	SE-101754-01	WASHER, PLAIN 1/4	2
11	SE-101753-01	TOP LOCK NUT 1/4-20	2
12	SE-101765-05	FHTMS .25-20 X 2.00	2

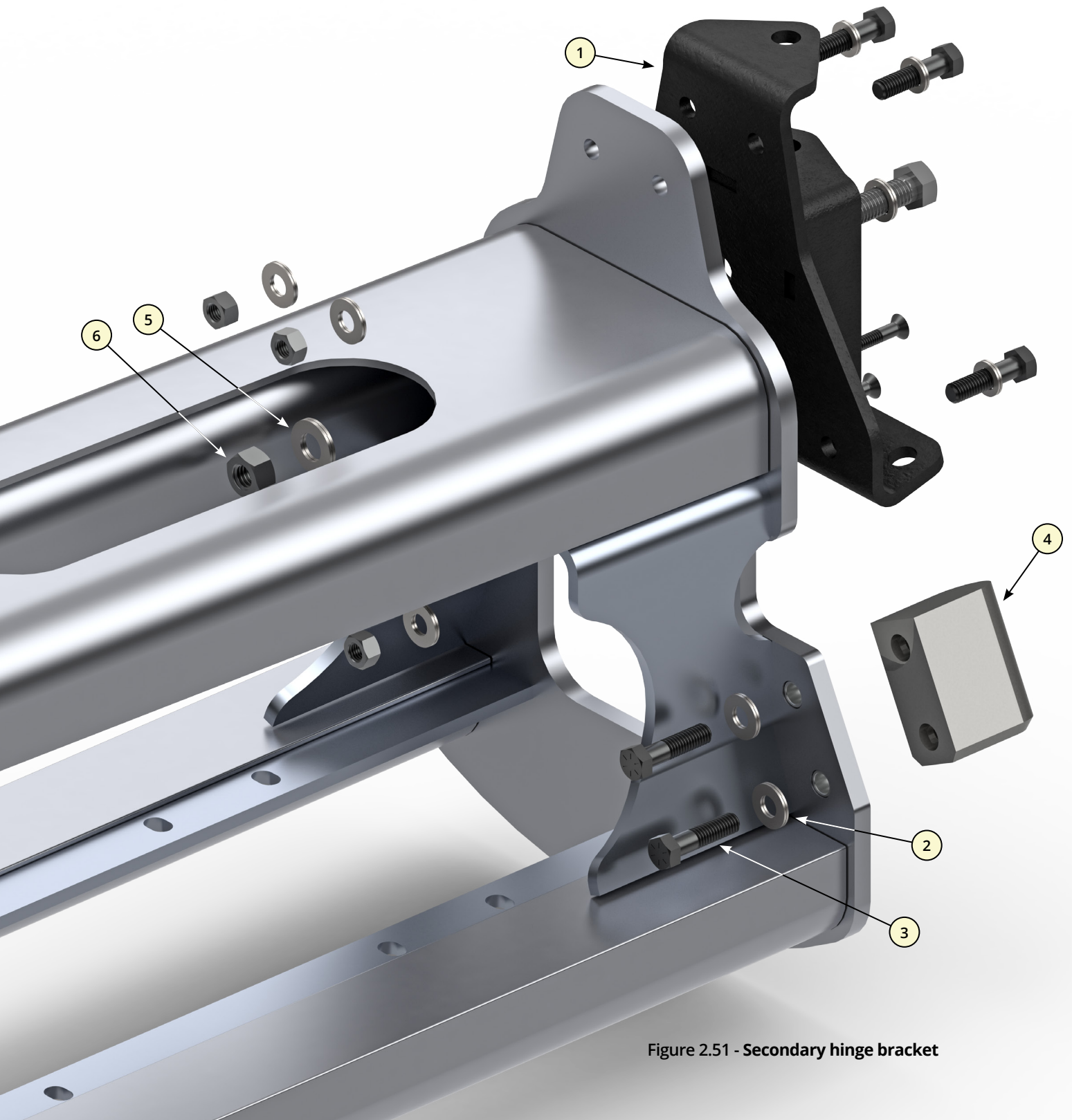


Figure 2.51 - Secondary hinge bracket

Ref #	Part #	Description	Qty
1	SE-102078	SCNDRY HINGE BRKT ASSY	1
2	SE-101761-03	WASHER, NORD-LOCK 3/8SP	6
3	SE-101750-05	CAPSCREW .38-16 X 1.50 G8	6
4	SE-101792	BLOCK, LWR PIVOT MTG	1
5	SE-101761-04	WASHER, NORD-LOCK 1/2SP	1
6	SE-101759-05	HEX NUT 1/2-13 G8	1

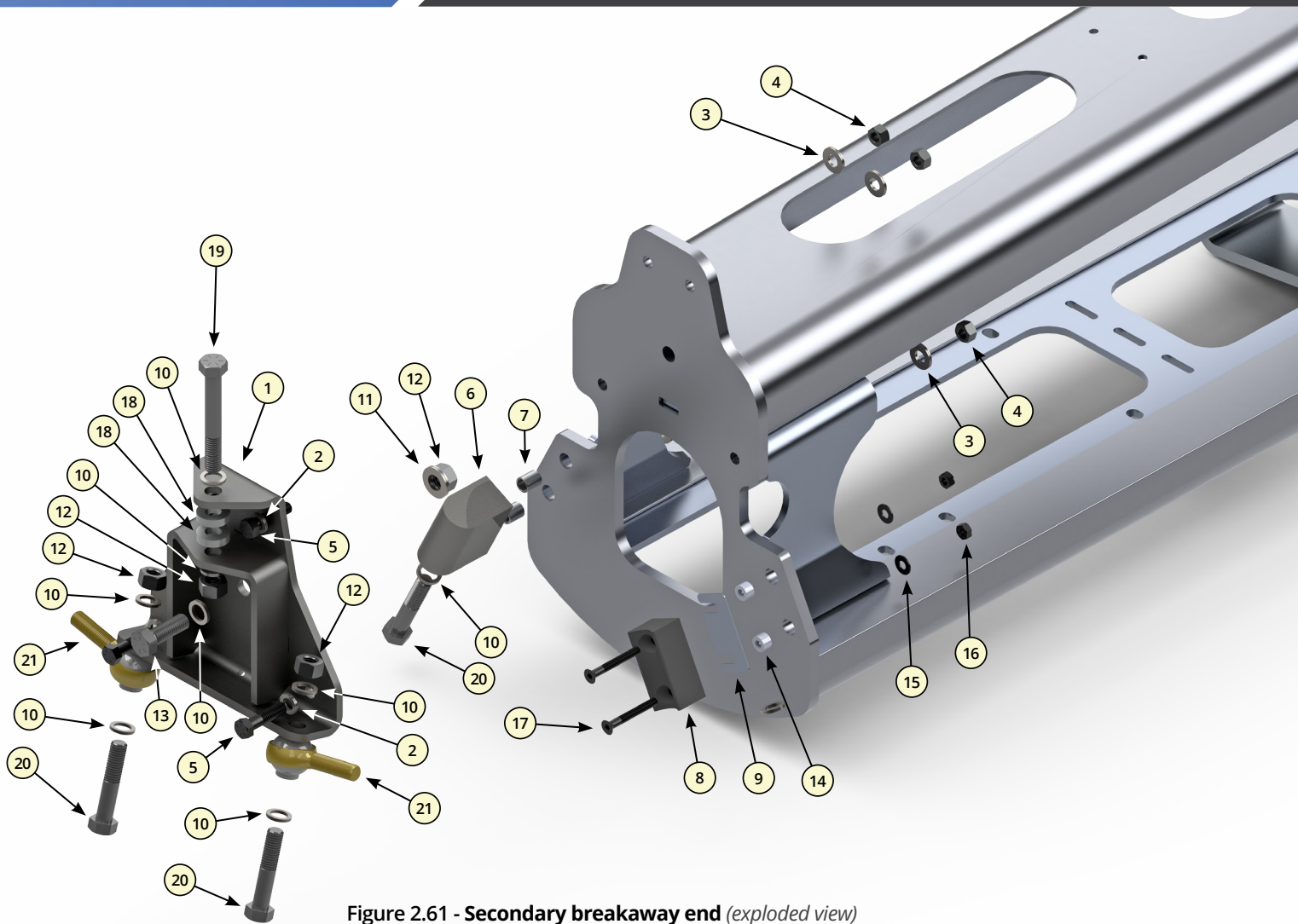


Figure 2.61 - Secondary breakaway end (exploded view)

Ref #	Part #	Description	Qty
1	SE-102078	SCNDRY HINGE BRKT ASSY	1
2	SE-101760-03	WASHER, NORD-LOCK 3/8	4
3	SE-101761-03	WASHER, NORD-LOCK 3/8SP	6
4	SE-101759-03	HEX NUT 3/8-16 G8	4
5	SE-101750-05	CAPSCREW .38-16 X 1.50 G8	6
6	SE-101792	BLOCK, LWR PIVOT MTG	1
7	SE-101796	DOWEL, ALIGNMENT	2
8	SE-101793	BLOCK, STOP	1
9	SE-101799	SHIM, STOP BLOCK	1
10	SE-101760-05	WASHER, NORD-LOCK 1/2	9
11	SE-101761-04	WASHER, NORD-LOCK 1/2SP	1
12	SE-101759-05	HEX NUT 1/2-13 G8	4
13	SE-101751-05	CAPSCREW .50-13 X 1.50 G8	1
14	SE-101850	SPACER, .50 X .25 X .31 NY	2
15	SE-101754-01	WASHER, PLAIN 1/4	2
16	SE-101753-01	TOP LOCK NUT 1/4-20	2
17	SE-101765-05	FHTMS .25-20 X 2.00	2
18	SE-101795	SPACER, 1.00 OD X .50 ID X .25	2
19	SE-101751-11	CAPSCREW .50-13 X 3.50 G8	1
20	SE-101751-09	CAPSCREW .50-13 X 2.50 G8	3
21	SE-101798	ROD END, LWR BALL JOINT	2

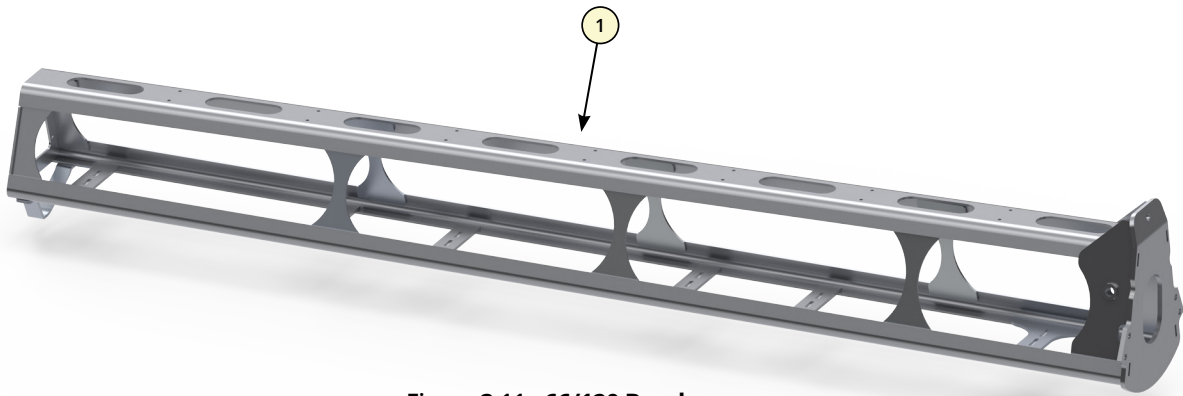


Figure 3.11 - 66/120 Breakaway

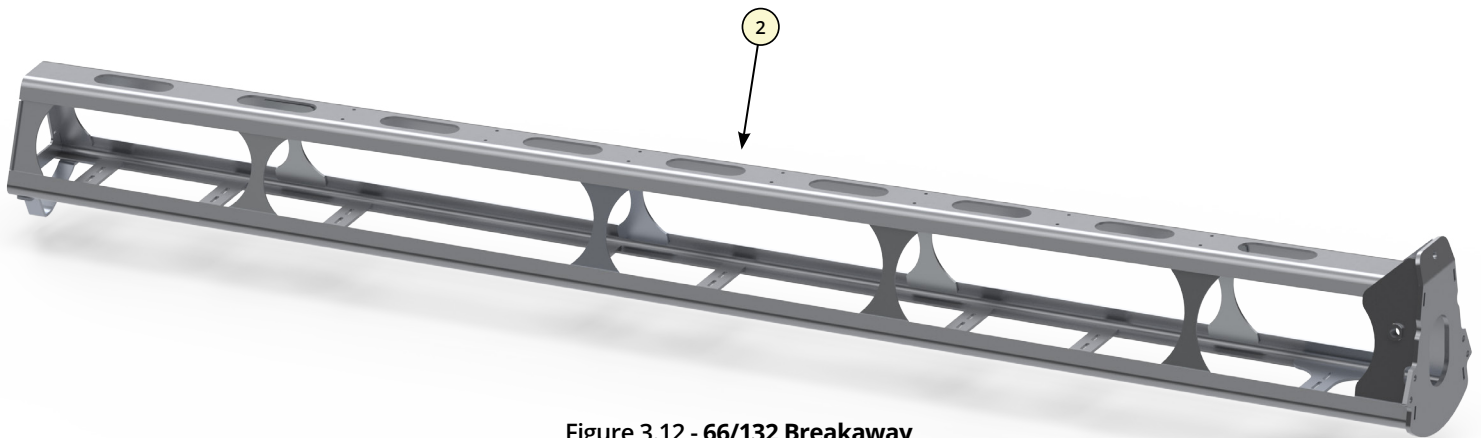


Figure 3.12 - 66/132 Breakaway

Ref #	Part #	Description	Qty
NOT SHOWN	SE-104036-01	60/90 BREAKAWAY	1
NOT SHOWN	SE-104036-01	60/100 BREAKAWAY	1
1	SE-101800-01	66/120 BREAKAWAY	1
2	SE-101800-09	66/132 BREAKAWAY	1

3.2 - BREAKAWAY SECTION

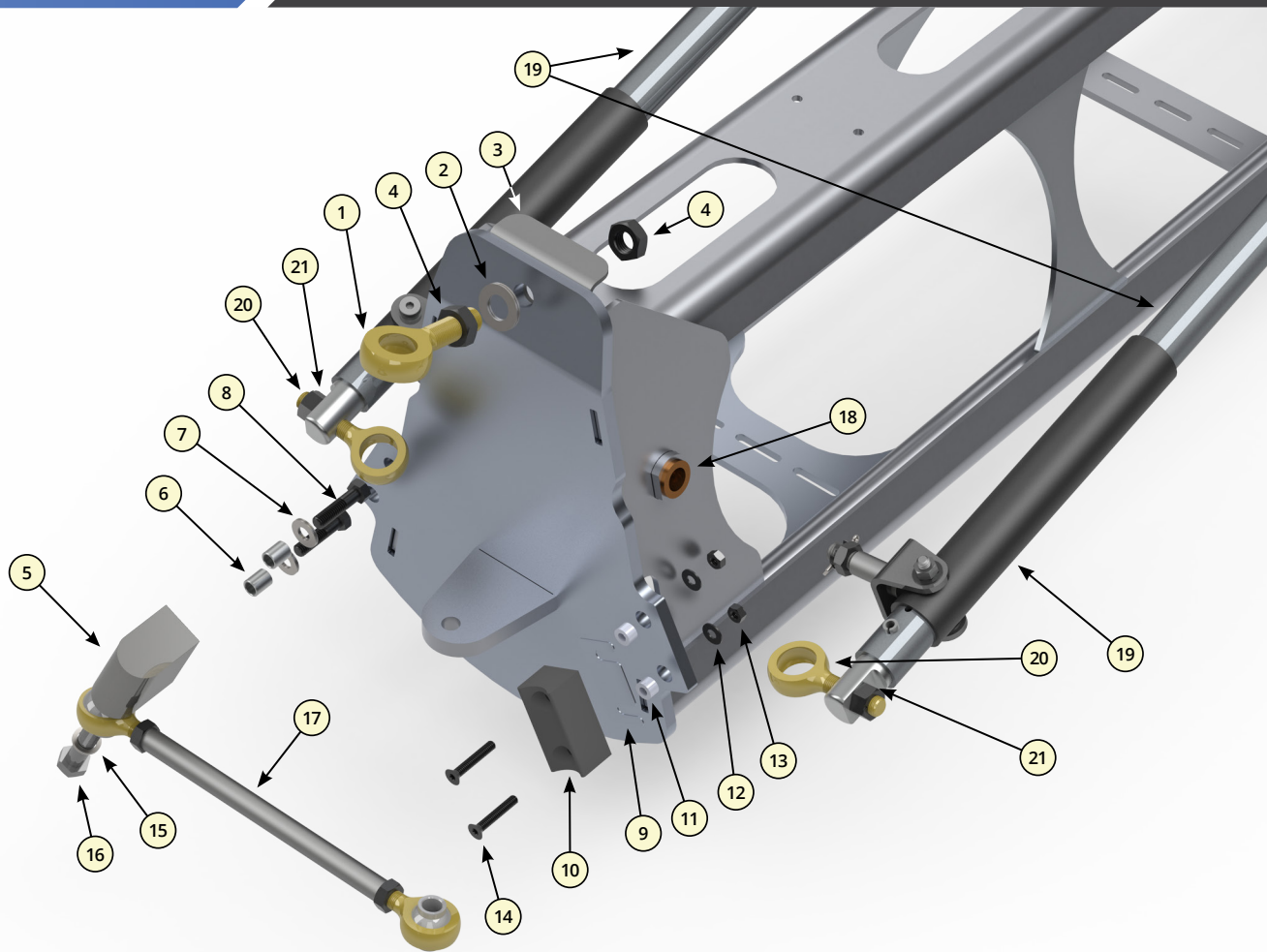


Figure 3.21 - Breakaway damper (exploded view)

Ref #	Part #	Description	Qty
1	SE-101797	ROD END, UPPER BALL JOINT	1
2	SE-101761-06	WASHER, NORD-LOCK 5/8SP	1
3	SE-102933	BRACKET, PIVOT SPRT	1
4	SE-101861-07	JAM NUT 5/8-18 UNF-2B	2
5	SE-101792	BLOCK, LWR PIVOT MTG	1
6	SE-101796	DOWEL, ALIGNMENT	2
7	SE-101761-03	WASHER, NORD-LOCK 3/8SP	2
8	SE-101750-05	CAPSCREW .38-16 X 1.50 G8	2
9	SE-101799	SHIM, STOP BLOCK	1
10	SE-101793	BLOCK, STOP	1
11	SE-101850	SPACER, .50 X .25 X .31 NY	2
12	SE-101754-01	WASHER, PLAIN 1/4	2
13	SE-101753-01	TOP LOCK NUT 1/4-20	2
14	SE-101765-04	FHTMS .25-20 X 1.50	2
15	SE-101760-05	WASHER, NORD-LOCK 1/2	1
16	SE-101751-09	CAPSCREW .50-13 X 2.50 G8	1
17	SE-101856	LINK ASSY, HINGE	1
18	SE-101857	BEARING, FLANGED SLEEVE	4
19	SE-103578	DAMPER ASSY	2
20	SE-101798	ROD END, LWR BALL JOINT	2
21	SE-101941-05	TOP LOCK NUT 1/2-20 UNF-2B	2

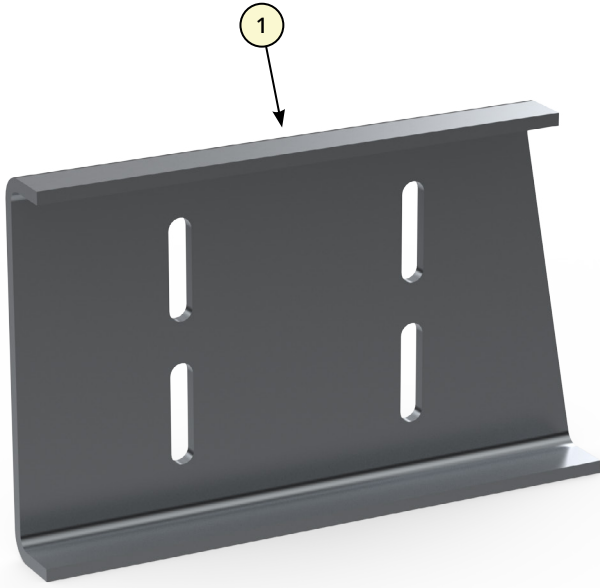


Figure 4.11 - LH Shelf Mounting Bracket

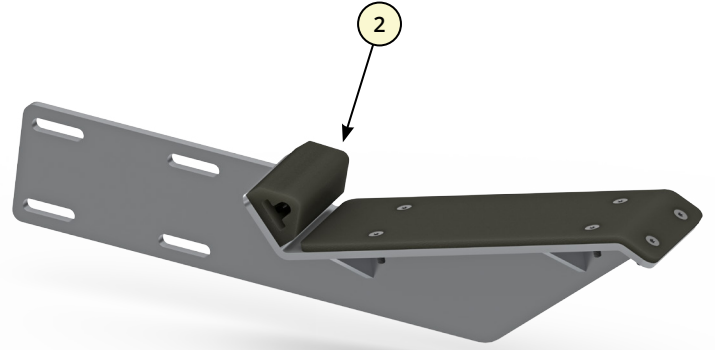


Figure 4.12 - LH Secondary Shelf Bracket

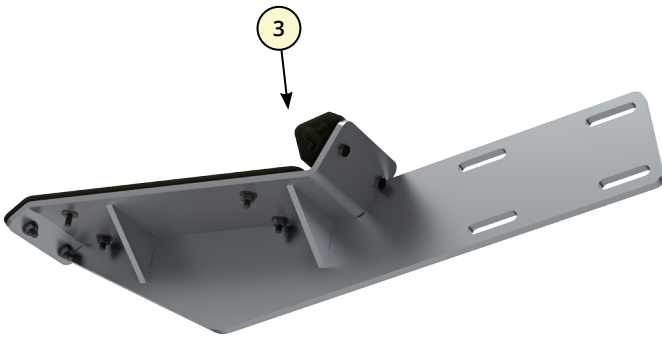


Figure 4.13 - RH Secondary Shelf Bracket (*bottom view*)

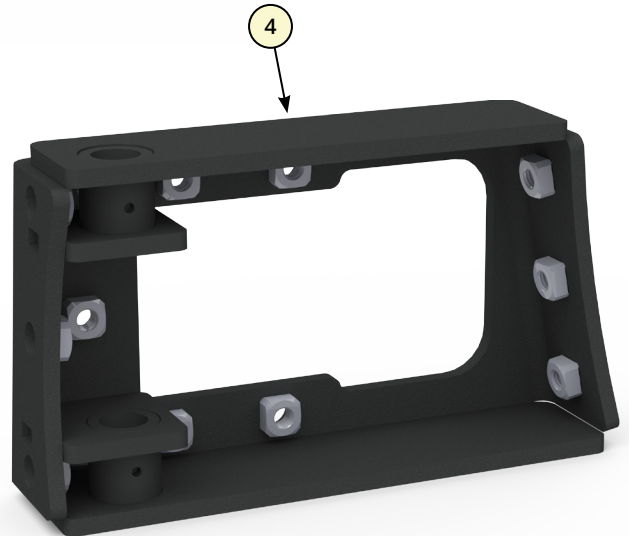


Figure 4.14 - Hinge Box Assy

Ref #	Part #	Description	Qty
1	SE-100025	LH SHELF MOUNTING BRACKET	1
NOT SHOWN	SE-100620	RH SHELF MOUNTING BRACKET	1
2	SE-102918	LH SECONDARY SHELF BRACKET	1
3	SE-102919	RH SECONDARY SHELF BRACKET	1
4	SE-100127A	HINGE BOX ASSY	1

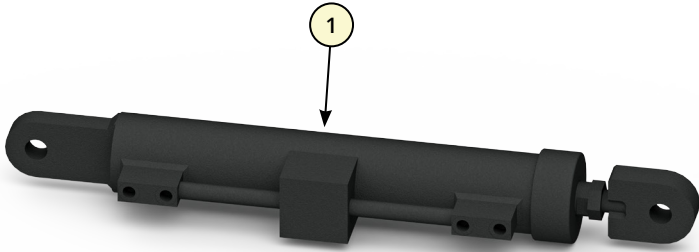


Figure 4.21 - Hydraulic Cylinder

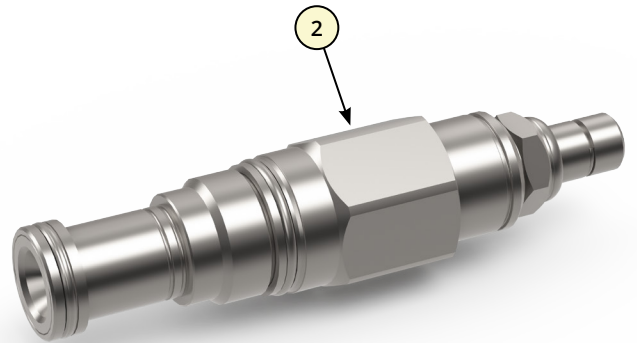


Figure 4.22 - Relief Valve

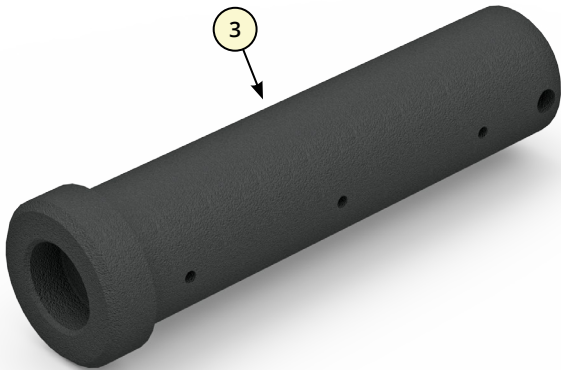


Figure 4.23 - Fold Cylinder Pin

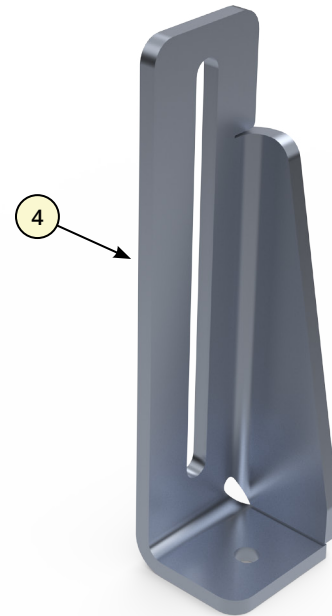


Figure 4.24 - Plumbing Tab

Ref #	Part #	Description	Qty
1	SE-100143	HYDRAULIC CYLINDER	1
2	SE-68177	RELIEF VALVE	1
NOT SHOWN	SE-21457	SEAL KIT	1
3	SE-101103P-BA	FOLD CYLINDER PIN	1
4	SE-100308	PLUMBING TAB	1

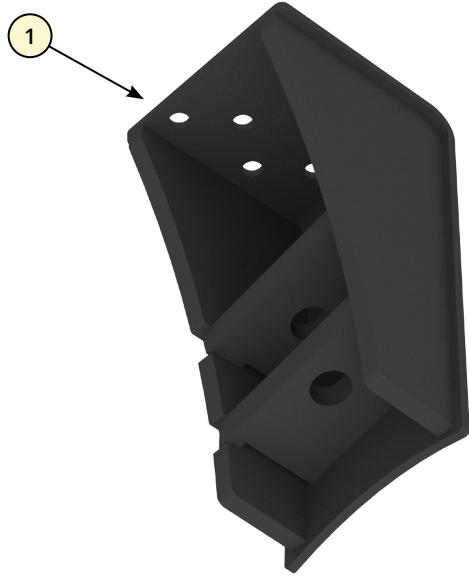


Figure 4.31 - LH Cylinder Anchor Bracket



Figure 4.32 - RH Cylinder Anchor Bracket

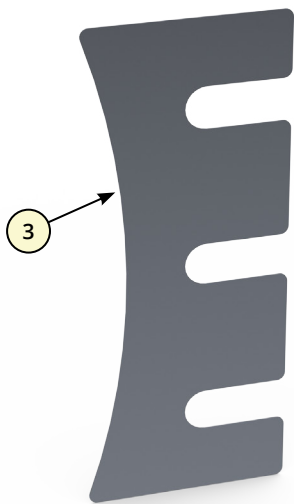


Figure 4.33 - Hinge Shim

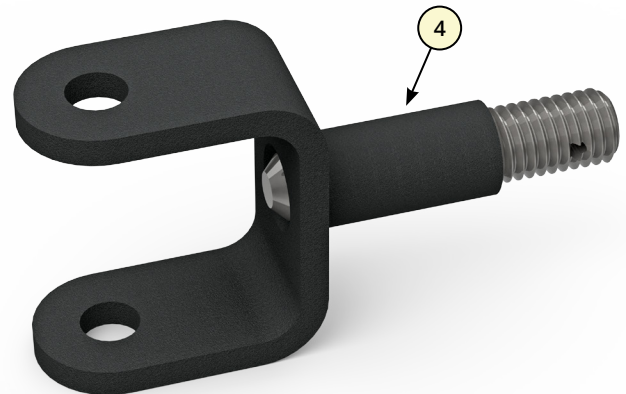


Figure 4.34 - Pivot Fork

Ref #	Part #	Description	Qty
1	SE-100317	LH CYLINDER ANCHOR BRACKET	1
2	SE-100901	RH CYLINDER ANCHOR BRACKET	1
3	SE-100319	HINGE SHIM	1
4	SE-101206	PIVOT FORK FOR BREAK DAMPER	1

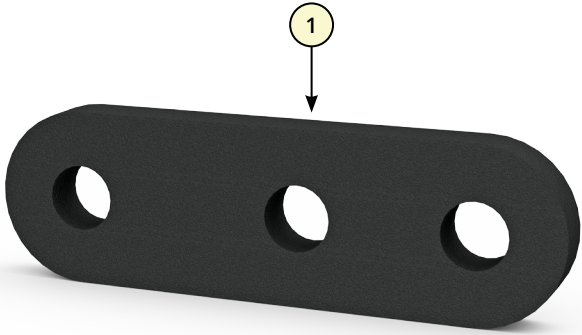


Figure 4.41 - Lift Lug Spacer

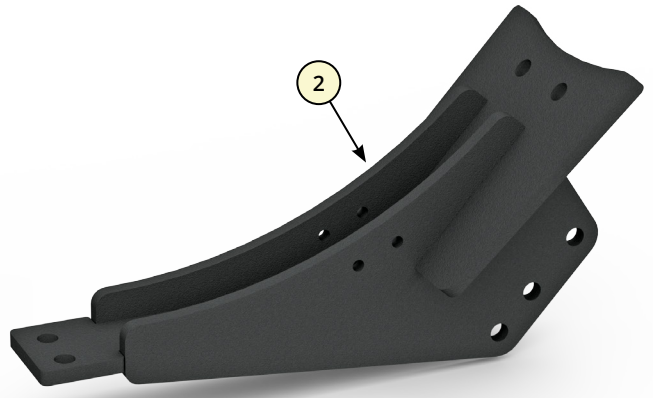


Figure 4.42 - LH Lift Lug Attach Bracket

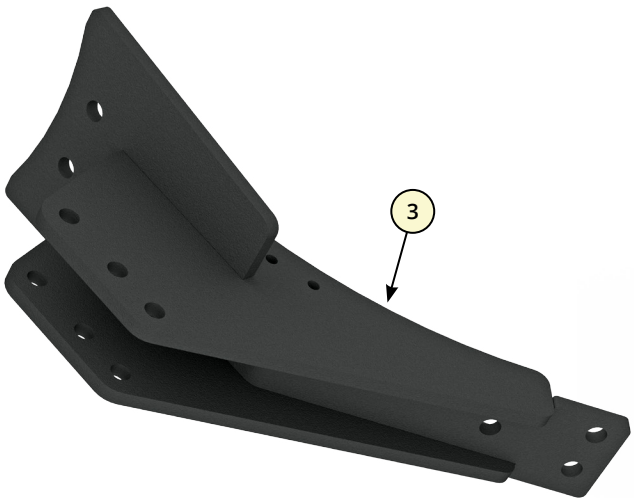


Figure 4.43 - RH Lift Lug Attach Bracket (*bottom view*)

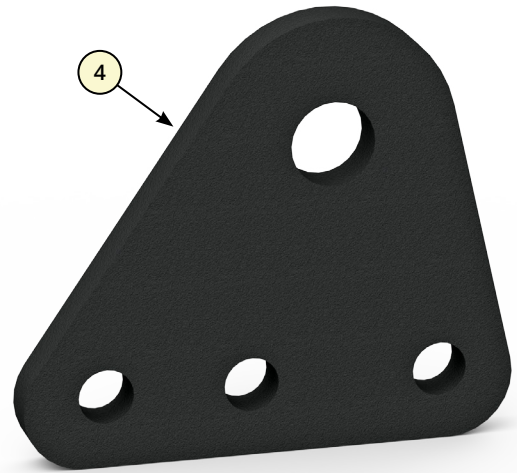


Figure 4.44 - Lift Lug Ear

Ref #	Part #	Description	Qty
1	SE-101209	LIFT LUG SPACER	1
2	SE-101210	LH LIFT LUG ATTACH BRACKET	1
3	SE-101211	RH LIFT LUG ATTACH BRACKET	1
4	SE-101189	LIFT LUG EAR	1

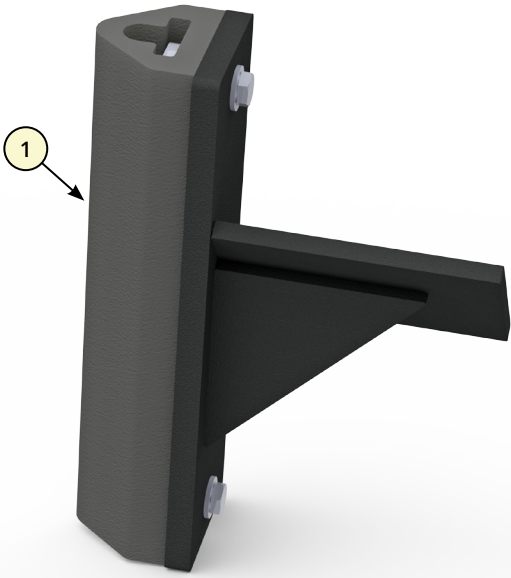


Figure 4.51 - Breakaway Bump Stop

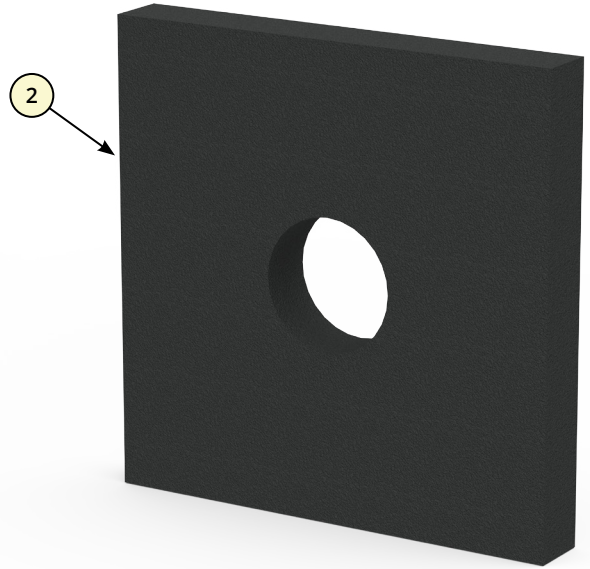


Figure 4.52 - Square Washer

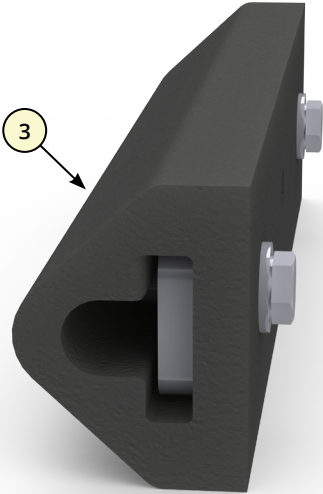


Figure 4.53 - Breakaway Rubber Bumper

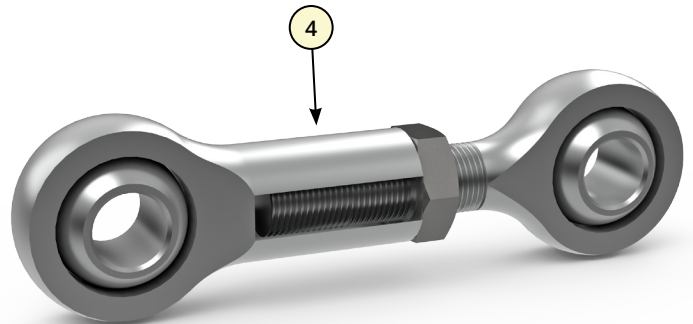


Figure 4.44 - Primary to Secondary Linkage

Ref #	Part #	Description	Qty
1	SE-AB385-A	BREAKAWAY BUMP STOP	1
2	SE-101966	SQUARE WASHER	1
3	SE-101432	BREAKAWAY RUBBER BUMPER	1
4	SE-101427	PRIMARY TO SECONDARY LINKAGE	1